

Impact-E x224BT



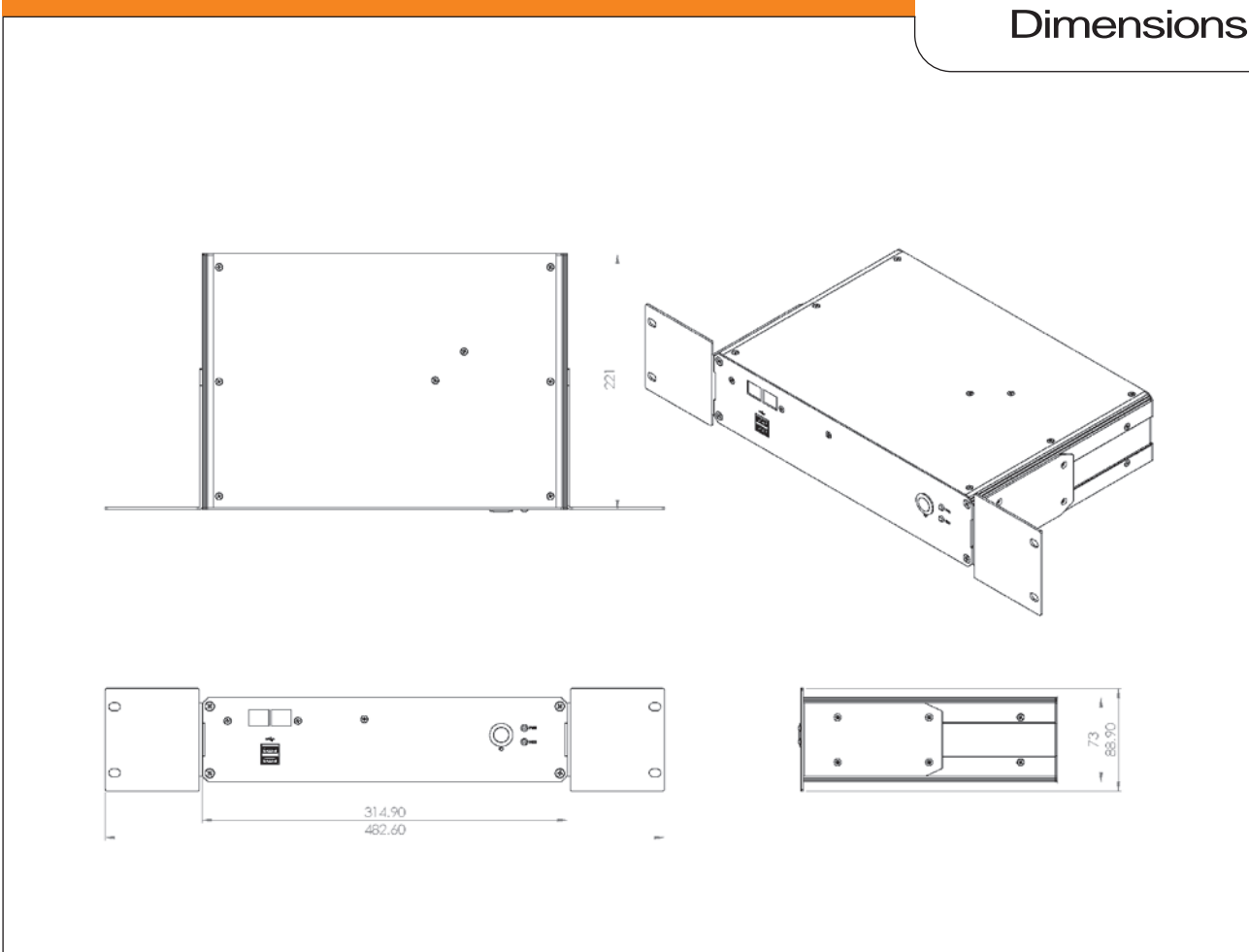
Features

Key features:-

The Impact-E x224BT is a compact embedded PC with expansion capability, including optional PoE (PSE x2). Designed with industrial components and long-life cycle, the Impact-E x224BT utilises the Intel® Bay-Trail processor series. SEMA Supported*¹

- Low power consumption
- Intel® long-life CPU
- Expandable options
- OEM Branding available

Dimensions



Impact-E x224BT

Specifications

The information is believed to be accurate. However Amplicon Liveline Limited accepts no responsibility for any problems caused by errors and omissions. Specifications are subject to change without notice.

Hardware Specification	CPU*2: Intel® ATOM™ E3845 Quad Core Main Memory:2GB DDR3L (max 8GB) LAN: Dual Intel® GbE RJ45	Mechanical	Design: Rugged compact embedded design Cooling: Fanless design Construction: Extruded Aluminium Color: Black/Silver Dimensions: 221(W) x 73(H)x 314.9(D)mm Gross weight: 3.5kg
BIOS	AMI EFI 8MB SPI BIOS	Environmental Operation	Acoustic Noise: Near Silent Operating Temperature: 0°C to 60°C Humidity: 5 – 90% RH non-condensing
Storage	1 x 2.5" SSD / HDD and 1 x mSATA	Environmental Storage	Temperature: <i>TBC</i> Humidity: 5 – 95% RH
System Expansion	Option(s): 2 x PCI, 2 x mPCIe Or 1 x PCI, 1 x PCIe x1, 2 x mPCIe	Electromagnetic Compatibility (EMC)	EN55023 Class A EN55024 Electrostatic discharge immunity test (EN61000-4-2) Enclosure port ±4kV Contact, applied to enclosure port ±8kV Air, applied to enclosure port Radiated, radio-frequency, electromagnetic field immunity test (EN61000-4-3) Enclosure port 80-1000MHz, 10 V/m (RMS, no modulation) 80% Modulation with 1kHz Sine wave Electrical fast transient/burst immunity test (EN61000-4-4) Power port AC, inc. protective earth Severity ±0.5kV Surge Immunity test (EN61000-4-5) Power port Severity ±0.5kV applied line to earth Immunity to conducted disturbances induced by radio frequency fields (EN61000-4-6) Power port inc. protective earth via CDN M3 0.15-80MHz, 10 V/m (no modulation) 80% Modulation with 1kHz Sine wave, applied via CDN Amplicon own a fully equipped EMC facility and can provide many additional tests to meet your requirements.
Supported Operating System(s)	Microsoft: Windows 7 (FeS, WES), Windows 10 (Pro, IoT) both 32-bit and 64-bit Linux: Please speak to you Amplicon account manager for information		
General Interfaces	Front: 2 x 7.5mm SMA locator holes Dual USB 2.0 Rear: 6 x DB9 COM port(s) (3 x RS232, 3 x Selectable) 1 x VGA*3, 1 x HDMI*4 4 x USB 3.0 2 x Intel® network ports (i211AT) 1 x Line Out, 1 x MIC in		
LED's and Switches	LED: Power LED SSD/HDD Activity Switch: On/Off		
Power	12~24VDC Input, using 2 pin terminal		

*1 = SEMA is a remote monitoring capability
*2 = Dual core version available upon request
*3 = Max resolution 1920 x 1200 @ 60Hz
*4 = Max resolution 2560 x 1600 x 24bpp @ 60Hz

